

HEMGRAP MANUAL



HEMGRAP MANUAL

HEMGRAP MANUAL

Hand operated machine for closing natural or artificial casings, nettings and bags, full or empty, with an aluminium clip.

Features:

- Very easy to use, manual operation.
- No compressed air supply or electricity needed.
- Robust construction and stainless components specially treated to withstand the adverse conditions such machines usually work in.
- Minimum maintenance.
- Our firm provides lubricant ALB-591 in spray and in can, which meets all EU and USA demanded requirements for its use in the Food Industry.

Following our standards, its devices and elements are protected by our own patents. In order to improve the machine, we reserve the right of modifications without prior notice.

Technical Data:

Net weight: 9 Kg

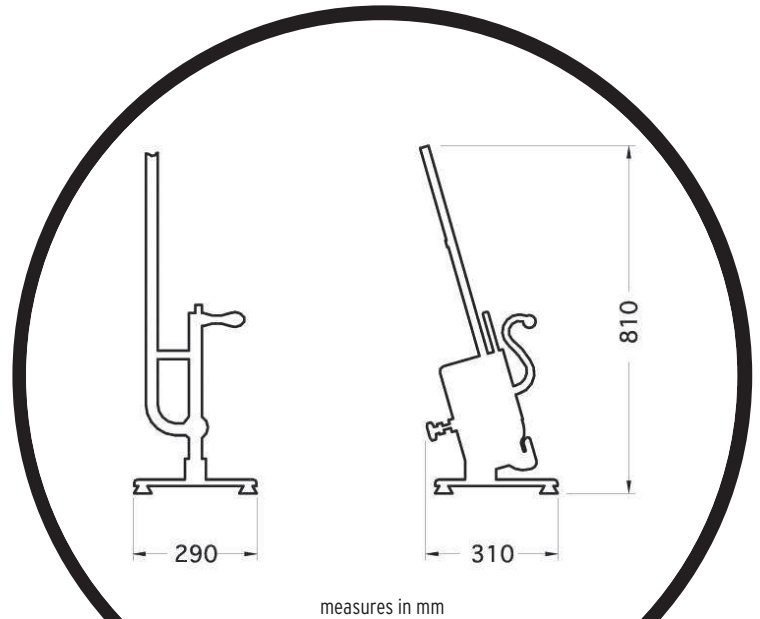
Model **Range of clips**

H-2700 H-2710, H-2712, H-2714, H-2716

Accessories:



Knife with stainless support



Suhner
food processing equipment